



# PJ06N03D

## 25V N-Channel Enhancement Mode MOSFET

### FEATURES

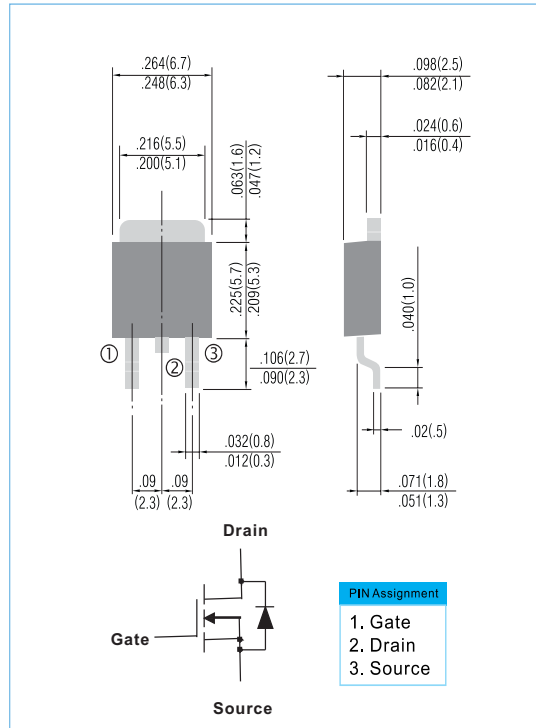
- $R_{DS(ON)}$ ,  $V_{GS}$  @ 10V,  $I_{DS}$  @ 30A=6m $\Omega$
- $R_{DS(ON)}$ ,  $V_{GS}$  @ 4.5V,  $I_{DS}$  @ 30A=9m $\Omega$
- Advanced Trench Process Technology
- High Density Cell Design For Ultra Low On-Resistance
- Specially Designed for DC/DC Converters and Motor Drivers
- Fully Characterized Avalanche Voltage and Current
- In compliance with EU RoHS 2002/95/EC directives

### MECHANICAL DATA

- Case: TO-252 Molded Plastic
- Terminals : Solderable per MIL-STD-750, Method 2026
- Marking : 06N03D

DPAK / TO-252

Unit: inch (mm)



### Maximum RATINGS and Thermal Characteristics ( $T_A=25^\circ\text{C}$ unless otherwise noted)

PARAMETER	Symbol	Limit	Units
Drain-Source Voltage	$V_{DS}$	25	V
Gate-Source Voltage	$V_{GS}$	$\pm 20$	V
Continuous Drain Current	$I_D$	60	A
Pulsed Drain Current <sup>1)</sup>	$I_{DM}$	320	A
Maximum Power Dissipation	$P_D$	70 42	W
Operating Junction and Storage Temperature Range	$T_J, T_{STG}$	-55 to + 150	$^\circ\text{C}$
Avalanche Energy with Single Pulse $I_D=40\text{A}, V_{DD}=25\text{V}, L=0.5\text{mH}$	$E_{AS}$	400	mJ
Junction-to-Case Thermal Resistance	$R_{\theta JC}$	1.8	$^\circ\text{C}/\text{W}$
Junction-to Ambient Thermal Resistance(PCB mounted) <sup>2</sup>	$R_{\theta JA}$	50	$^\circ\text{C}/\text{W}$

- Note: 1. Maximum DC current limited by the package  
2. Surface mounted on FR4 board,  $t \leq 10$  sec

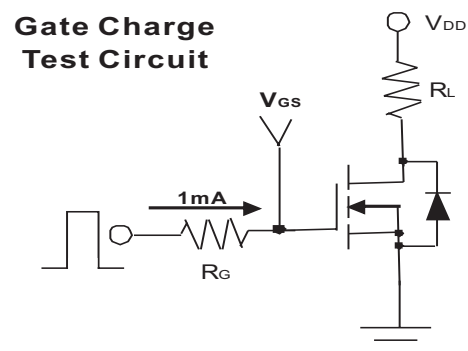
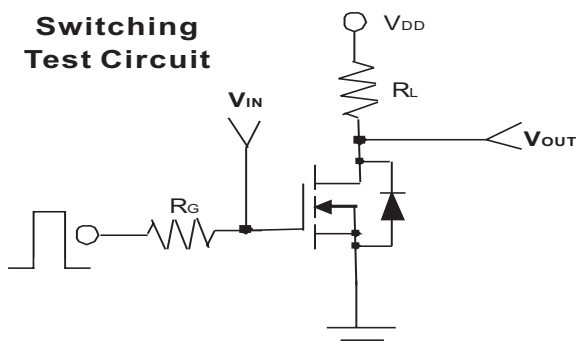
PAN JIT RESERVES THE RIGHT TO IMPROVE PRODUCT DESIGN,FUNCTIONS AND RELIABILITY WITHOUT NOTICE



# PJ06N03D

## ELECTRICAL CHARACTERISTICS

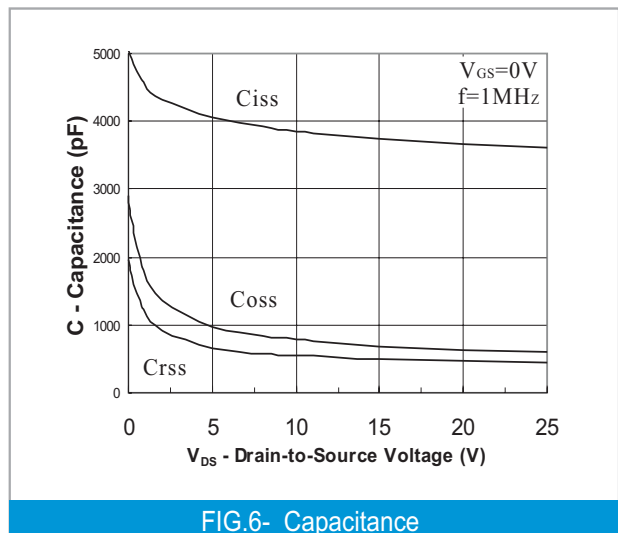
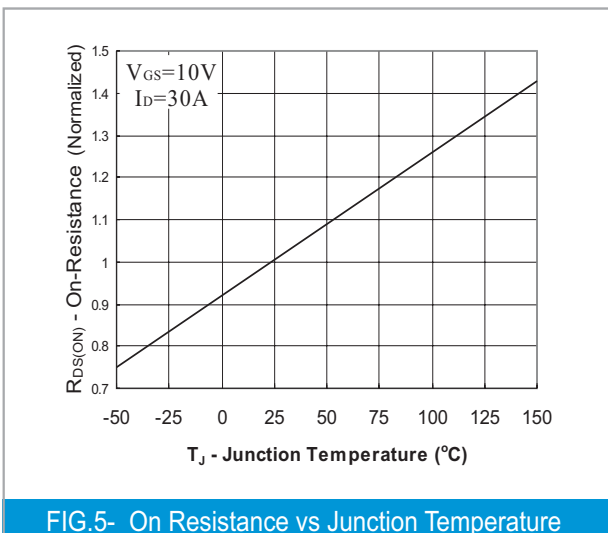
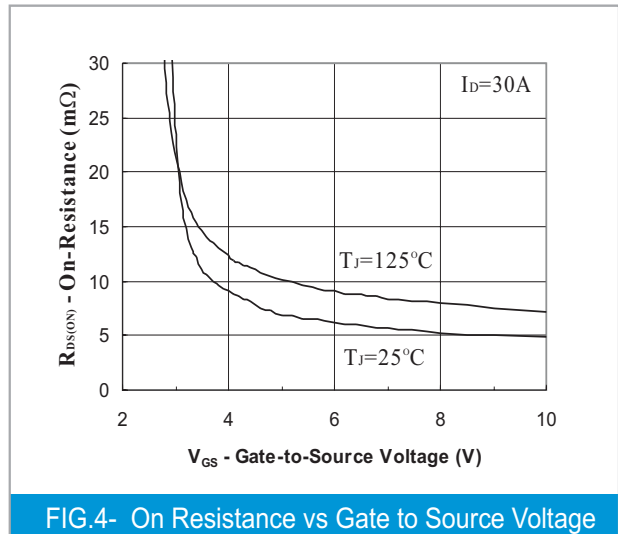
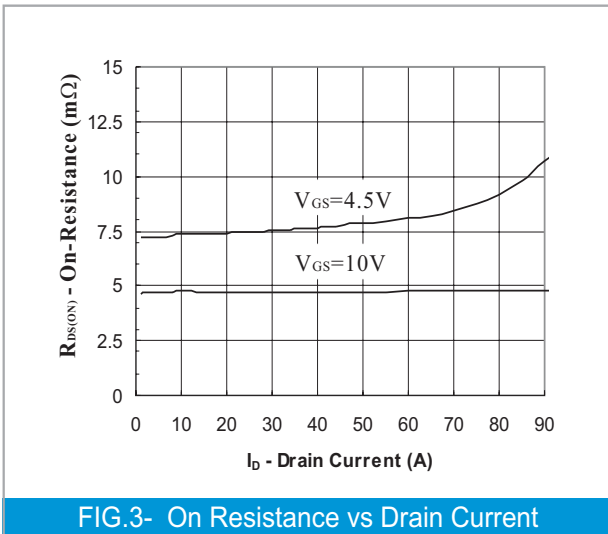
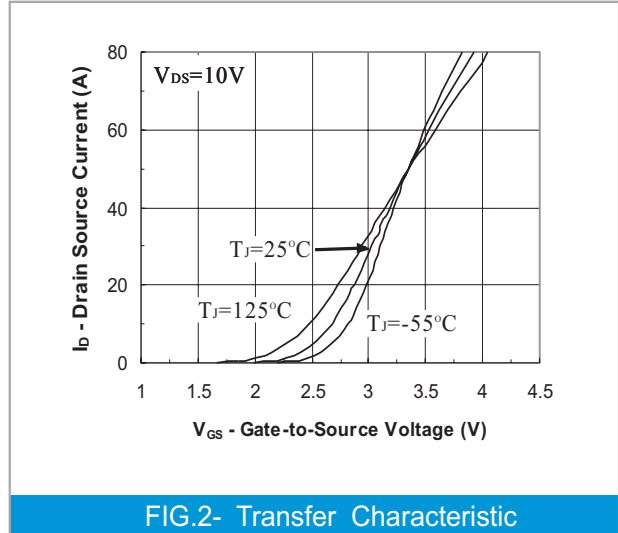
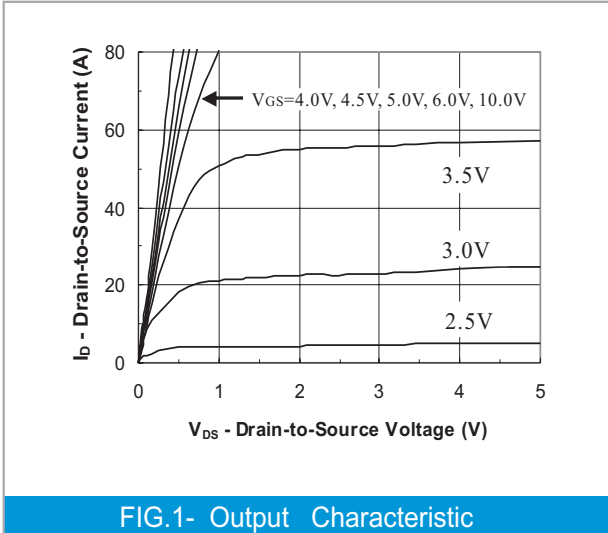
Parameter	Symbol	Test Condition	Min.	Typ.	Max.	Units
<b>Static</b>						
Drain-Source Breakdown Voltage	$BV_{DSS}$	$V_{GS}=0V, I_D=250\mu A$	25	-	-	V
Gate Threshold Voltage	$V_{GS(th)}$	$V_{DS}=V_{GS}, I_D=250\mu A$	1	-	3	V
Drain-Source On-State Resistance	$R_{DS(on)}$	$V_{GS}=4.5V, I_D=30A$	-	7.6	9.0	m $\Omega$
Drain-Source On-State Resistance	$R_{DS(on)}$	$V_{GS}=10V, I_D=30A$	-	4.7	6.0	
Zero Gate Voltage Drain Current	$I_{DSS}$	$V_{DS}=25V, V_{GS}=0V$	-	-	1	$\mu A$
Gate Body Leakage	$I_{GSS}$	$V_{GS}=\pm 20V, V_{DS}=0V$	-	-	$\pm 100$	nA
Forward Transconductance	$g_{fs}$	$V_{DS}=10V, I_D=15A$	30	-	-	S
<b>Dynamic</b>						
Total Gate Charge	$Q_g$	$V_{DS}=15V, I_D=15A, V_{GS}=5V$	-	39	-	nC
			-	72	-	
			-	8.1	-	
Gate-Source Charge	$Q_{gs}$	$V_{DS}=15V, I_D=15A$ $V_{GS}=10V$	-	8.1	-	ns
Gate-Drain Charge	$Q_{gd}$		-	14.2	-	
Turn-On Delay Time	$T_{d(on)}$		-	17.2	21	
Turn-On Rise Time	$t_{rr}$	$V_{DD}=15V, R_L=15\Omega$ $I_b=1A, V_{GEN}=10V$ $R_G=3.6\Omega$	-	15	17	ns
Turn-Off Delay Time	$t_{d(off)}$		-	78	90	
Turn-Off Fall Time	$t_f$		-	30	42	
Input Capacitance	$C_{iss}$	$V_{DS}=15V, V_{GS}=0V$ $f=1.0MHz$	-	3750	-	pF
Output Capacitance	$C_{oss}$		-	650	-	
Reverse Transfer Capacitance	$C_{rss}$		-	500	-	
<b>Source-Drain Diode</b>						
Max. Diode Forward Current	$I_s$	-	-	-	65	A
Diode Forward Voltage	$V_{SD}$	$I_s=30A, V_{GS}=0V$	-	0.95	1.2	V





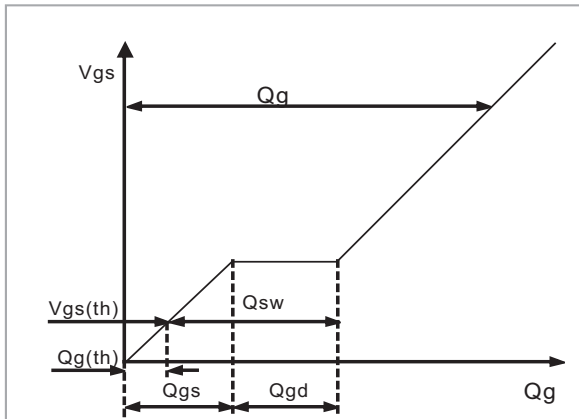
# PJ06N03D

Typical Characteristics Curves ( $T_J=25^\circ\text{C}$ , unless otherwise noted)

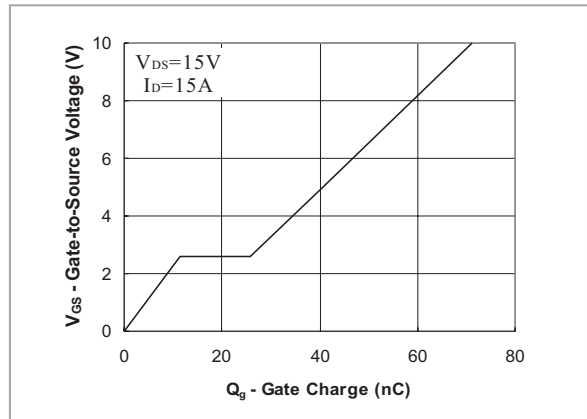




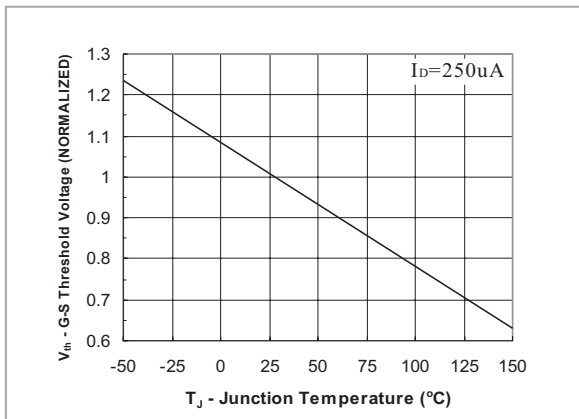
# PJ06N03D



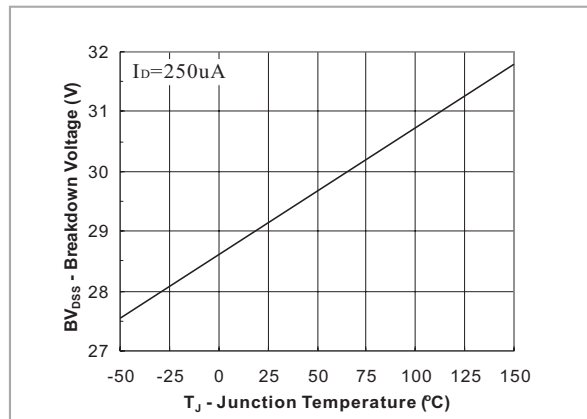
**Fig. 7 - Gate Charge Waveform**



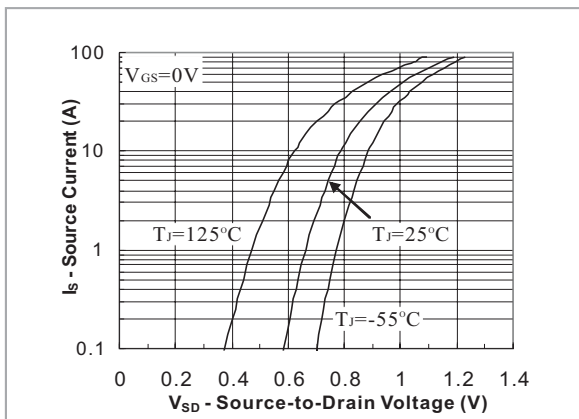
**Fig. 8 - Gate Charge**



**Fig. 9 - Threshold Voltage vs Temperature**



**Fig. 10 - Breakdown Voltage vs Junction Temperature**

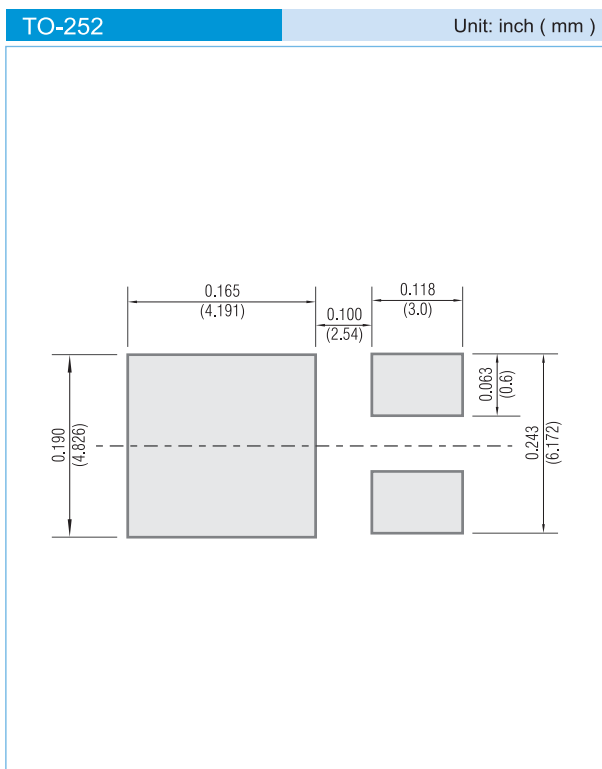


**Fig. 11 - Source-Drain Diode Forward Voltage**



# PJ06N03D

## MOUNTING PAD LAYOUT



## ORDER INFORMATION

- Packing information  
T/R - 3K per 13" plastic Reel

## LEGAL STATEMENT

### Copyright PanJit International, Inc 2007

The information presented in this document is believed to be accurate and reliable. The specifications and information herein are subject to change without notice. Pan Jit makes no warranty, representation or guarantee regarding the suitability of its products for any particular purpose. Pan Jit products are not authorized for use in life support devices or systems. Pan Jit does not convey any license under its patent rights or rights of others.